

(12) United States Design Patent
Goldberg

(10) Patent No.: US D443,317 S
(45) Date of Patent: ** Jun. 5, 2001

(54) **I CHING TOP**

1,501,276 * 7/1924 Cruver 273/147
 4,906,216 * 3/1990 Abeshouse 446/256

(76) Inventor: **Malford W. Goldberg**, 5012 Crawford St., Houston, TX (US) 77004

* cited by examiner

(**) Term: **14 Years**

Primary Examiner—Dominic Simone
(74) Attorney, Agent, or Firm—Kenneth A. Roddy

(21) Appl. No.: **29/128,588**

(57) CLAIM

(22) Filed: **Aug. 25, 2000**

The ornamental design for an I Ching top, as shown and described.

(51) **LOC (7) Cl.** **21-01**

(52) **U.S. Cl.** **D21/460**

(58) **Field of Search** D21/460, 461;
 273/147, 374; 446/256, 259

(56) References Cited

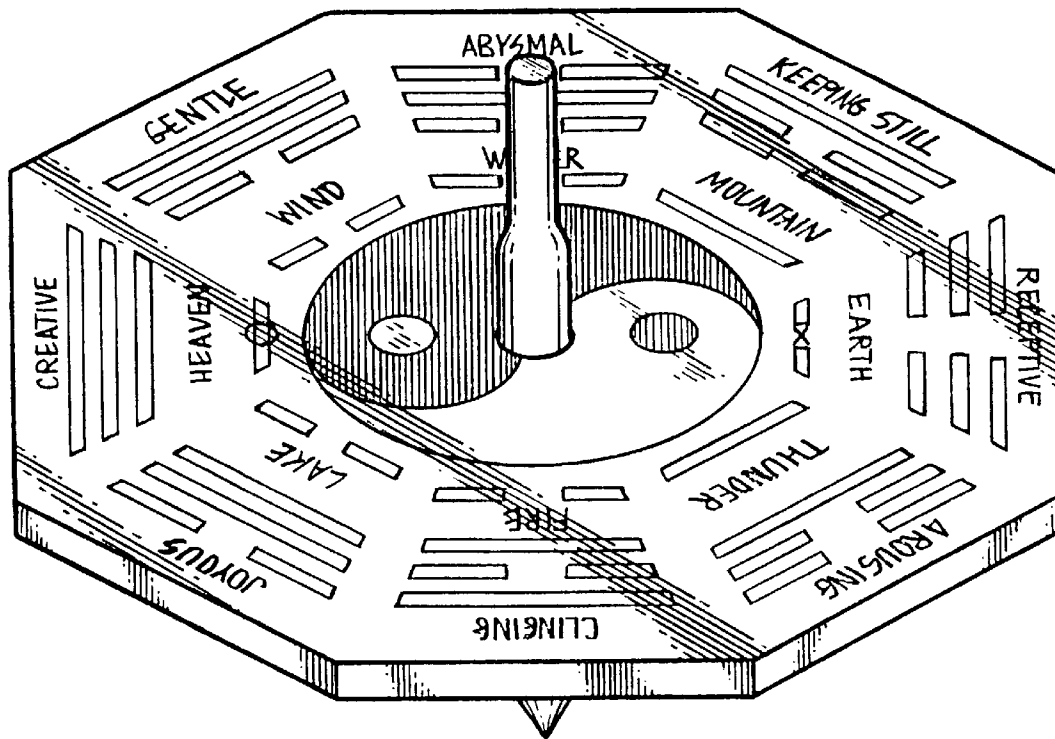
U.S. PATENT DOCUMENTS

- D. 301,258 * 5/1989 Olney D21/460
- D. 331,082 * 11/1992 Levy et al. D21/460
- D. 388,135 * 12/1997 Beenchetrit et al. D21/460

DESCRIPTION

FIG. 1 is a perspective view of the I Ching top showing the design of the present invention;
 FIG. 2 is a side elevation view thereof, all side elevation views being identical to the view shown in FIG. 2;
 FIG. 3 is a top plan view thereof; and,
 FIG. 4 is a bottom plan view thereof.

1 Claim, 4 Drawing Sheets



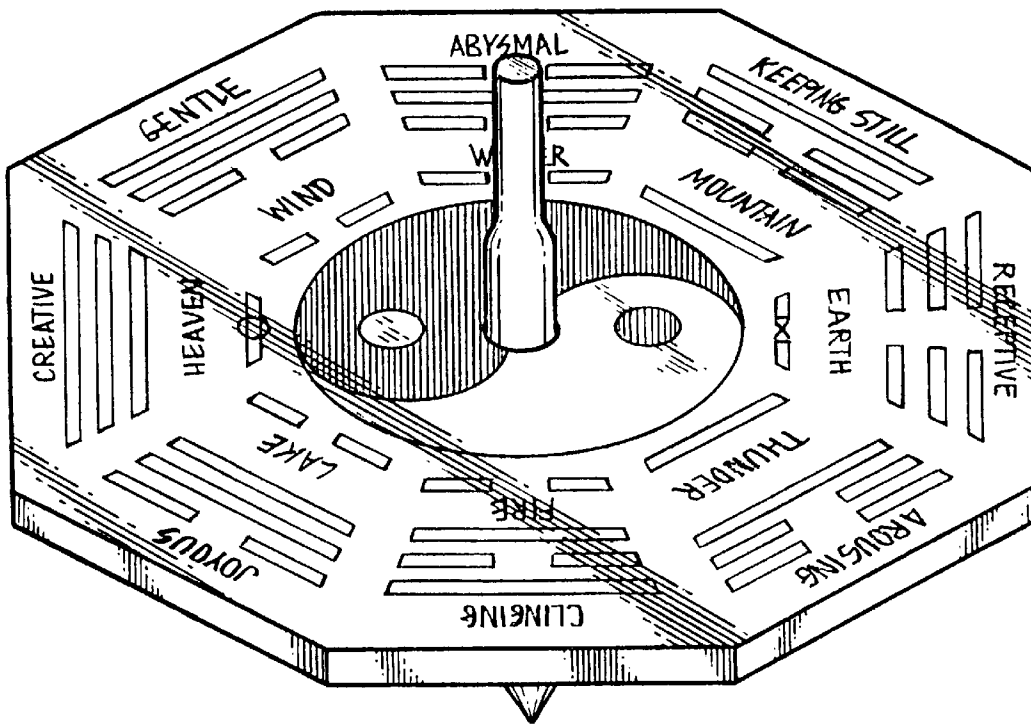


FIG. 1

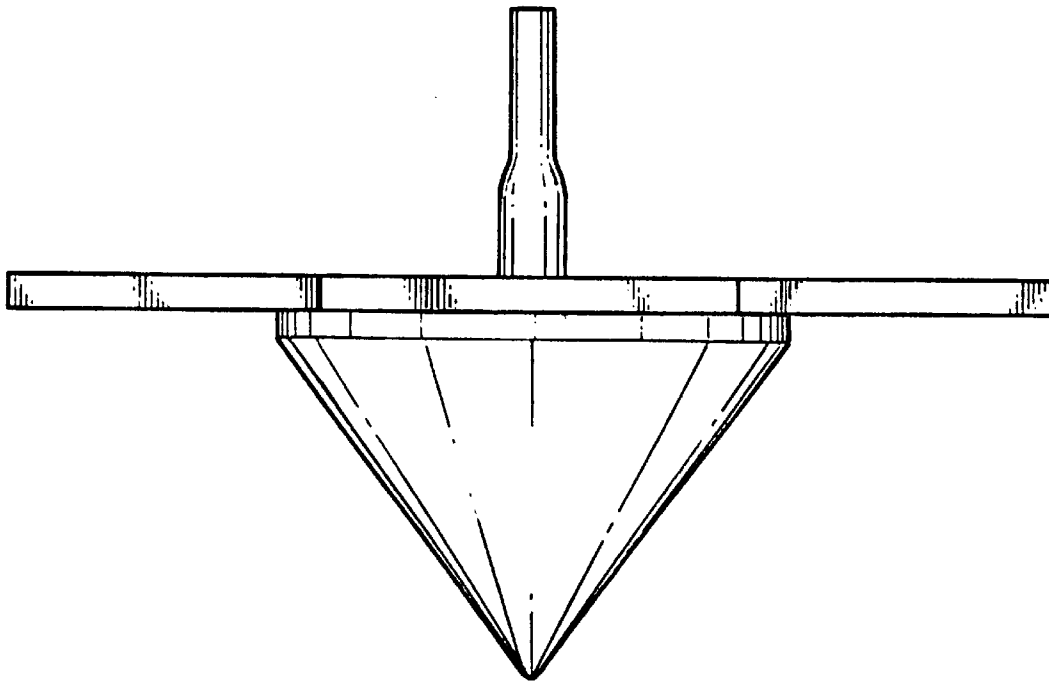


FIG. 2

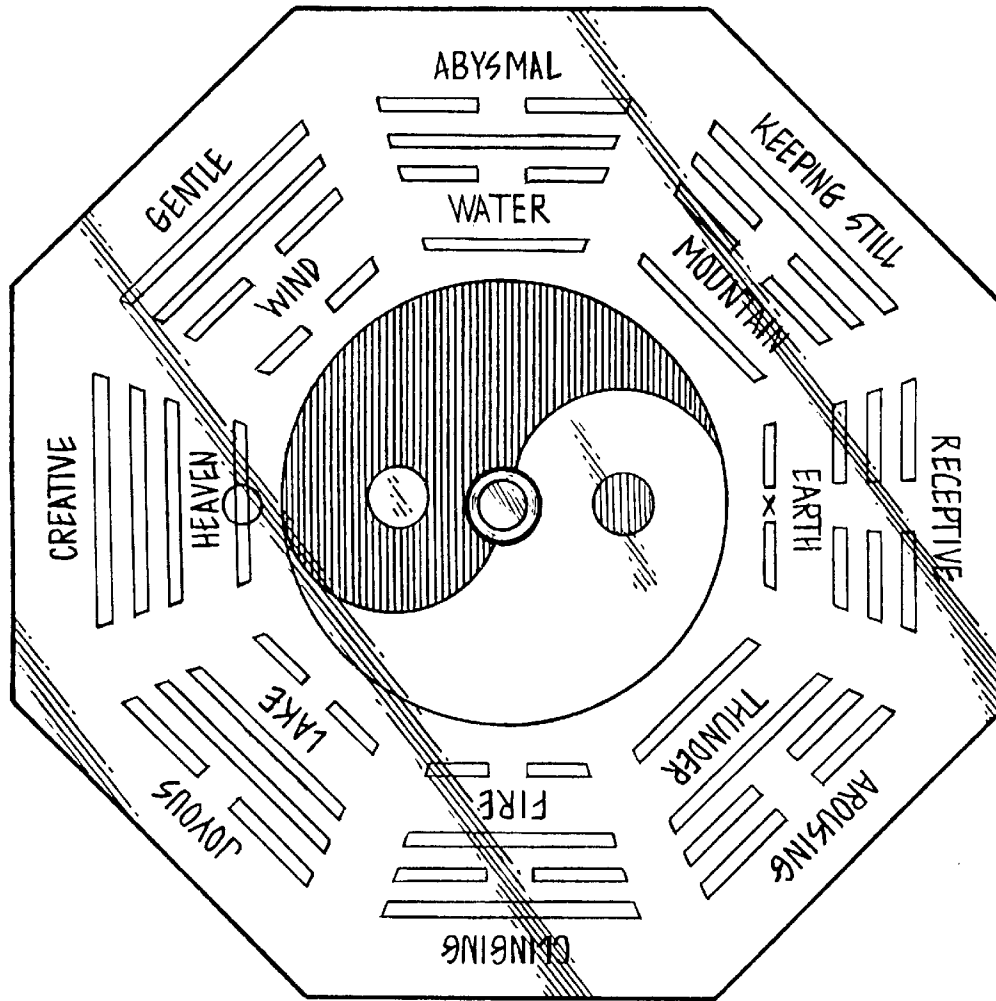


FIG. 3

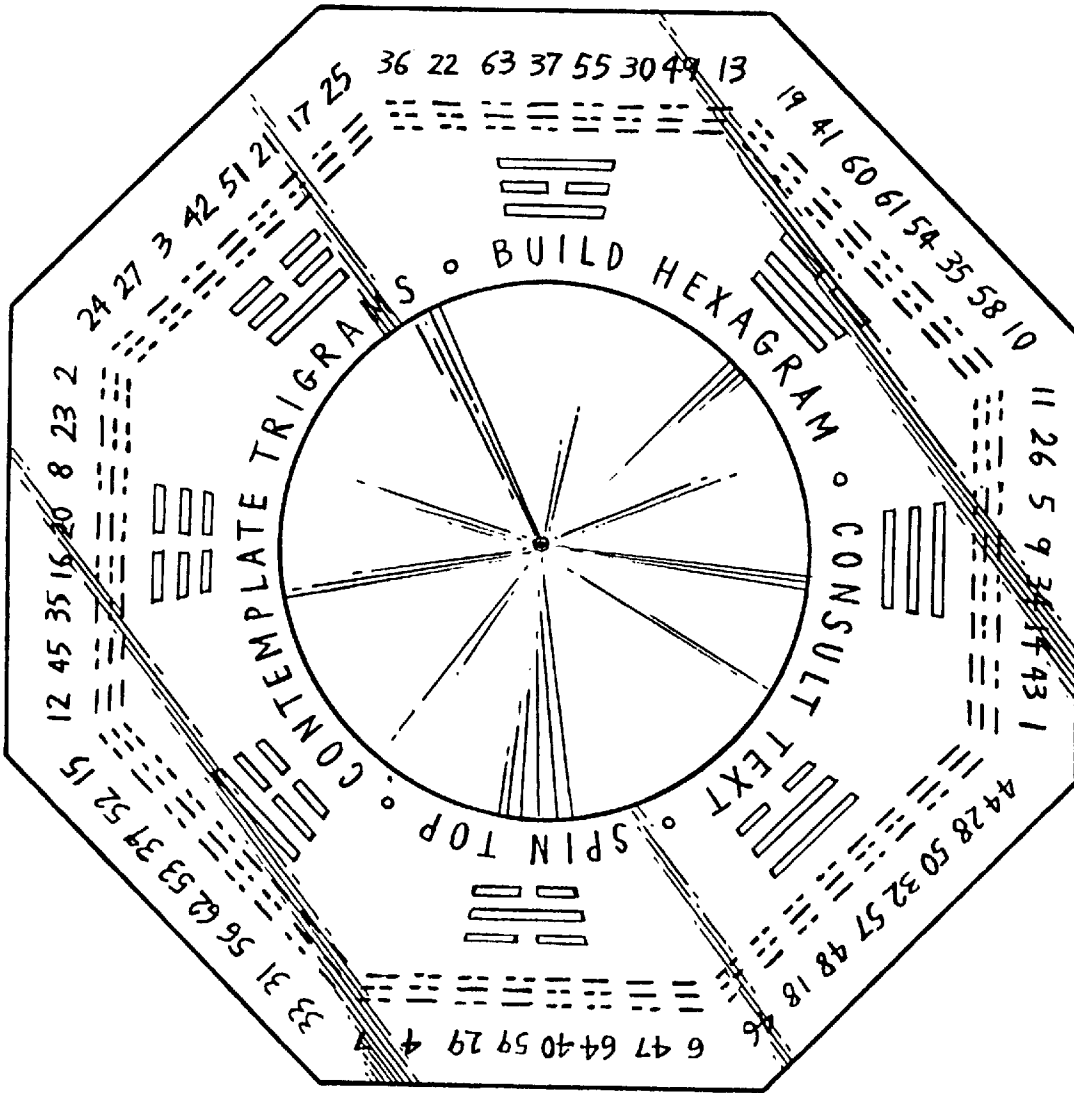


FIG. 4